

CHAMBERLAIN®

**LiftMaster**  
**PROFESSIONAL**

# VENTED PLUG REPLACEMENT

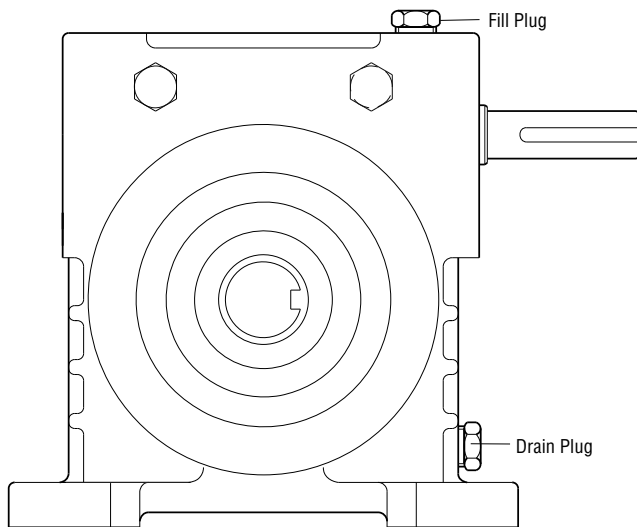
MODELS: SL580/SL585/SL590/SL595 &  
BG770/BG790 & BG3000

1. Disconnect power to operator.
2. For model BG790: Remove existing drain plug. For all other models: Remove existing fill plug.
3. Install new vented plug provided and hand tighten with wrench.
4. Remove relief valve from new vented plug.

## **WARNING**

Disconnect power at the fuse box BEFORE proceeding. If necessary remove the operator from its mounted position. ALL electrical connections MUST be made by a qualified individual.

### BG770, BG3000 and BG790



### SL580/585 and SL590/595

